

## PVC Immersion Assembly *DipFit W CYA 611*

### Immersion assembly for oxygen and turbidity sensors and compact pH/ORP electrode CPF 81



CYA 611



CYA 611 with suspension  
bracket, spray cleaning  
set and sensor (e.g. COS 4)

#### Areas of application

The immersion assembly CYA 611 is used for simple installation of sensors equipped with 3/4" NPT or G 1 threads. It is designed for use in open channels, basins and tanks.

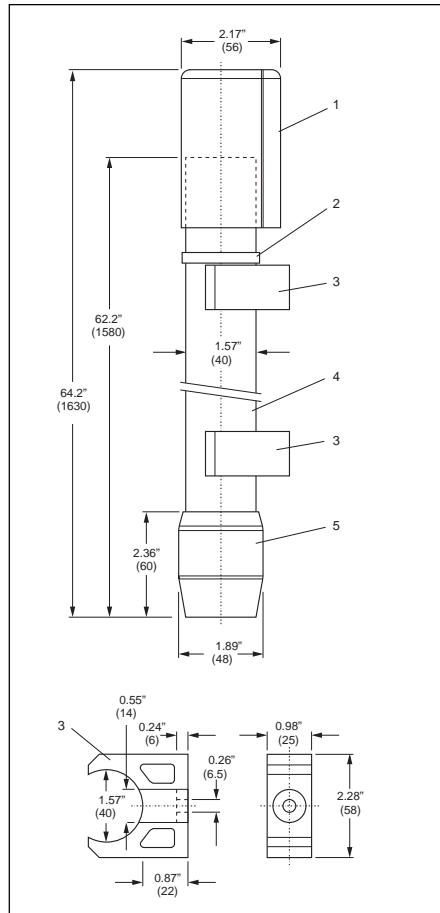
Typical applications:

- Sewage treatment plant inflow and discharge monitoring
- Sewer monitoring
- Oxygen / solids content measurement in activated sludge basins
- ORP measurement in denitrification systems
- Ph measurement for precipitating agent dosing
- Service water monitoring
- River water monitoring

#### Benefits at a glance

- Simple and economical wall installation with pipe clamps
- Individual adaptation of assembly length is possible
- Immersion depth adjustable by user via worm drive hose clips
- Simple sensor installation via 3/4" NPT or G 1 threads
- 3 mounting types are possible; wall installation, suspension bracket, or pendulum frame
- Assembly is also available as an economically priced individual parts set
- Spray cleaning function can be retrofitted without modification of the assembly

## CYA 611 versions



CYA 611 compents and dimensions

- 1 Protection cap
- 2 Worm drive hose clip
- 3 Pipe clamps
- 4 PVC pipe (customer supplied)
- 5 Threaded coupling

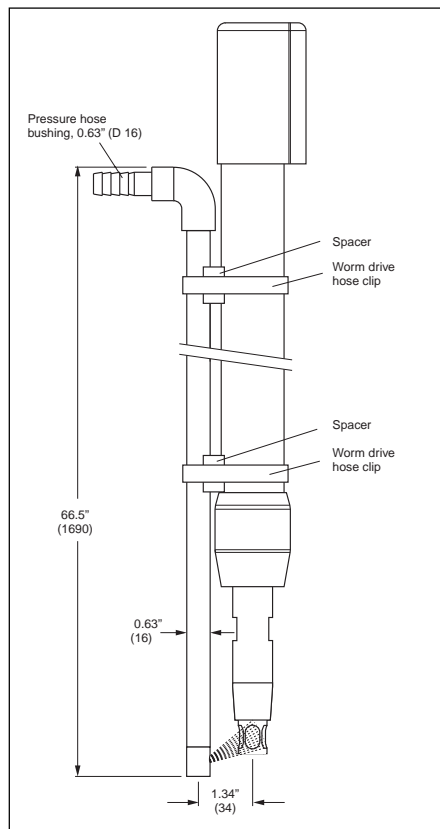
The standard version, CYA 611-0, is completely assembled, and two pipe clamps and one worm drive hose clip for wall mounting are supplied.

The CYA 611-1 consists of:

- 1 Protection cap
- 2 One worm drive hose clip
- 3 Two pipe clamps
- 4 PVC pipe (supplied by customer)
- 5 One threaded coupling

The required PVC pipe measuring pipe, 1.57" (DN 40) x 0.12" (3 mm) thickness is provided by the customer. Recommended PVC adhesives are: Tangit (manufactured by Henkel) or PeViCol (manufactured by ASV Stubbe)

## Accessories



Left:

Spray cleaning set for CYA 611

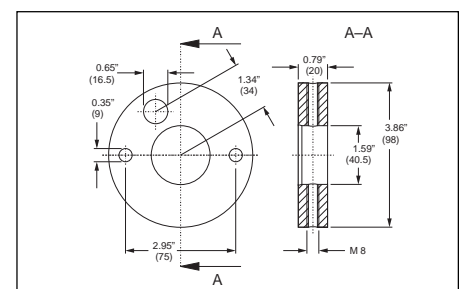
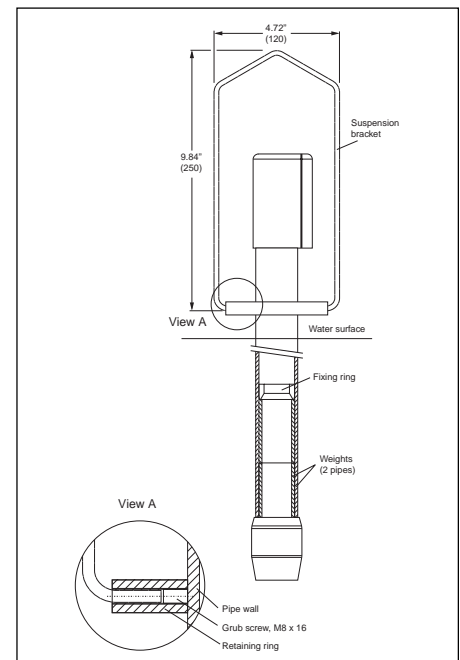
- For all sensors
- Can be retrofitted
- Modification of assembly not required
- Simple installation with worm drive hose clips made of 316 SS

Top right:

Attachment with suspension bracket

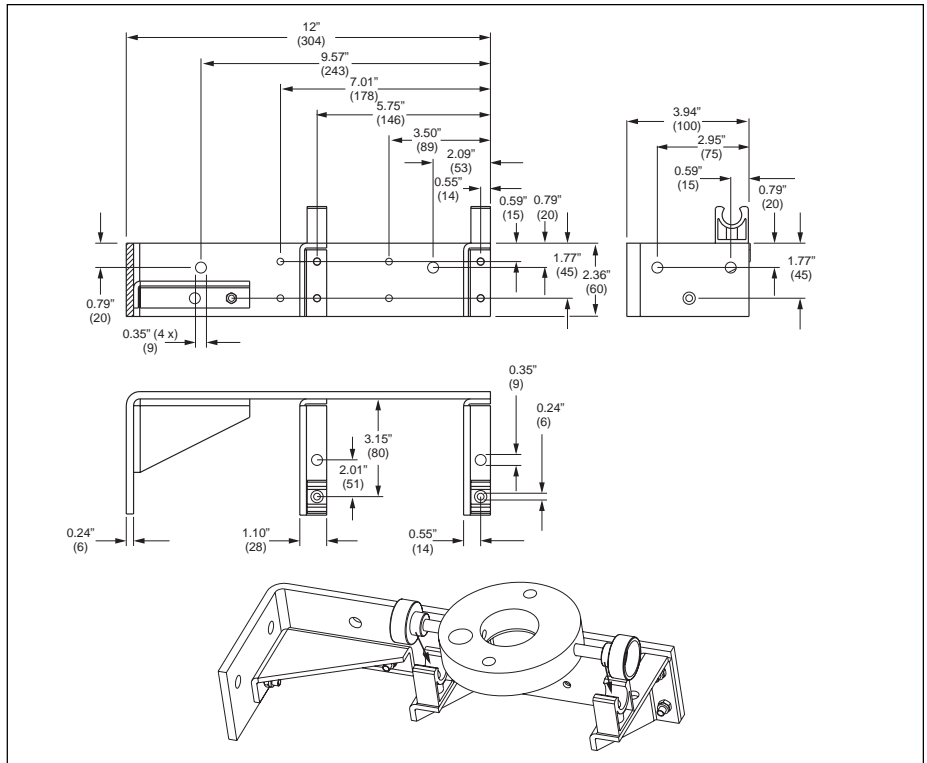
Bottom right:

Dimensions of retaining ring for attachment of suspension bracket



## Accessories (con't.)

- Pendulum frame**
- For mounting on basin rim or channel wall
  - Made of 316 SS



- Mounting set for CYA 611 for installation with suspension bracket and pendulum frame  
Order No. 50085874
- Spray cleaning set for CYA 611 for installation (or retrofitting) on CYA 611  
Order No. 50086336
- Pendulum frame for pendulum suspension of CPA 111, CLA 111, CPA 510 or CYA 611  
Order No. 50080196
- Universal suspension assembly holder CYH-101-A, see Technical Information TI 092C/07/en
- Cleaning injector CYR 10, see Technical Information TI 046C/07/en

## Technical data

Manufacturer	Endress+Hauser
Designation	DipFit W CYA 611

## Operating conditions

Operating pressure	Nonpressurized systems
Ambient temperature	32° to 140°F (0 to 60°C)

## Design

Total length	64.2" (1630 mm)
Pipe diameter / wall thickness	According to DIN 8062, 1.57" / 0.12" (40 / 3 mm)
Maximum immersion depth	Approximately 55" (1400 mm)
Cable entry	0.39" diameter
Weight	Approximately 2.2 lbs (1 kg)
Mounting thread	Version B, 3/4" NPT; Version A, G 1

## Materials

Immersion tube	PVC-U
Protection cap	PA
Wall attachment	PE
Worm drive hose clip	316 SS

## Mounting set for CYA 611

Additional weight (2 pipes)	Approximately 0.7 lbs (0.35 kg) each
Suspension bracket	316Ti SS
Additional weight	304 SS

## Ordering information

### DipFit W CYA 611PVC immersion assembly

CYA 611 -  <sup>1</sup>  <sup>2</sup>

- 1 Version
  - 0 Completely assembled with pipe
  - 1 Mounting kit, 1.6" x 0.1" (40 x 3 mm),  
PVC pipe provided by customer
- 2 Sensor connection
  - A G 1" thread (e.g. COS, CUS sensors)
  - B 3/4" NPT thread (e.g. for CPF 81)
  - C G 3/4" thread (e.g. CLS 50)
  - D 1/2" NPT thread

## 广州晋合水处理设备有限公司



地 址：广东省广州市海珠区工业大道333号华新园区7幢218

电 话：020-88191905

传 真：020-61139917

邮 编：510300

邮 箱：jinhewater@jinhewater.com

网 址：<http://www.jinhewater.com>

**Endress+Hauser**   
People for Process Automation